

SMPS ECO Series

ECO120

Nuteck Power Solutions P Ltd.
 1st Floor, 115/5, Ramtekdi Industrial Area,
 Hadapsar, Pune-411013.
 Tel : +91 26811162, Mob : +91 9552545012
 Email : info@nuteck.in
 Web : www.nuteckpowersolutions.com

120W Single Output Switching Power Supply

- **Features:**
- Wide Input Supply Range
- Low leakage current <1mA.
- Protections: Short Circuit / Over load / Over voltage
- 100% Full Load Burn in test.
- High efficiency, long life and high reliability
- Miniature size, high power density



SPECIFICATION

MODEL		ECO120-12	ECO120-24	ECO120-48
Output	DC Voltage	12V	24V	48V
	Rated Current	10A	5A	2.5A
	Current Range	0 ~ 10A	0 ~ 5A	0 ~ 2.5A
	Rated Power	120W		
	Ripple and Noise Max.	< 1% Of Rated Voltage.		
	Voltage Adj. Range	10.8 ~ 13.2V	21.6 ~ 26.4V	43.2 ~ 52.8V
	Voltage Tolerance	< 1% Of Rated Voltage.		
	Line Regulation	< +/- 0.5 %		
	Load Regulation	< +/- 1 %		
	Hold up Time	> 20mSec		
Input	Voltage Range	170 VAC ~ 300 VAC		
	Frequency	45Hz - 65Hz		
	Efficiency	>83%		
	Inrush Current	<30A At 230VAC		
	Leakage Current	<1mA At 230VAC		
Protection	Output Over Load	Above 105% Rated output Power Protection Type: Hiccup Mode, Recovers automatically after fault condition is removed.		
	Output Over Voltage	115-135% Rated Output Voltage Protection Type: Hiccup Mode, Recovers automatically after fault condition is removed.		
Environment	Working Temp.	-5DegC to 55DegC.		
	Working Humidity	20 to 90%RH Non Condensing.		
	Storage Temp Humidity	-10 to 85DegC 10 to 95% RH.		
	Vibration	10 to 500Hz,2G,20min/sweep,peroid-1Hr,Each along X,Y,Z axes.		
Safety & EMC	Safety Standard	Designed to meet UL60950-1		
	Withstand Voltage	I/P-O/P : 2KVAC , I/P-Earth : 1.5KVAC , O/P-Earth: 500VAC.		
	Isolation Resistance	I/P-O/P , I/P-Earth , O/P-Earth : 100M Ohms / 500VAC.		
	EMI & EMC	Designed to meet EN55011		
Other	Enclosure Protection	IP-20		
	Cooling	Natural Cooling.		
	Mounting	DIN RAIL EN.50022 / Panel Mounting		
	Dimension	108*54*119 (D*W*H) (For Panel Mounting) 117.5*54*119 (D*W*H) (With DIN-RAIL Clamp)		
Note	1. All parameters NOT specially mentioned are measured at Typical input, rated load and 25Deg.C. ambient temperature. 2. Ripple & noise are measured at 20MHz of bandwidth by using a 12" twisted pair-wire terminated with a 0.1uF & 47uF parallel capacitor. 3. Tolerance : includes set up tolerance , line regulation and load regulation. 4. The power supply is considered a component which will be installed into a final equipment. The final equipment must be re-conformed that it still meets EMC directives. 5. Specifications are subject to change without prior notice due to constant improvement in design & technology.			

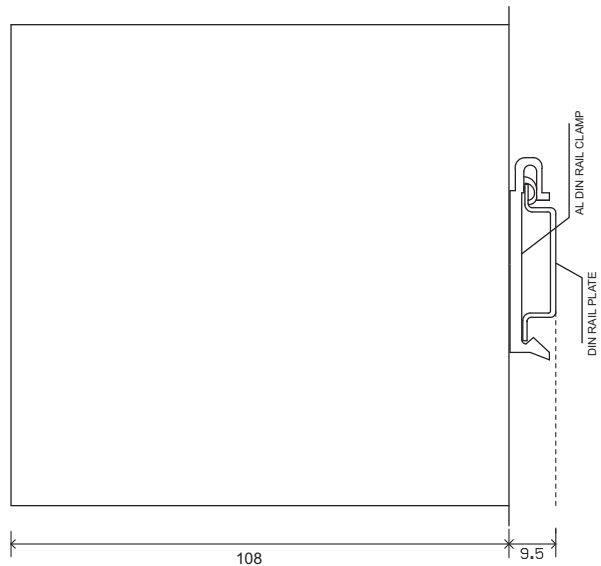
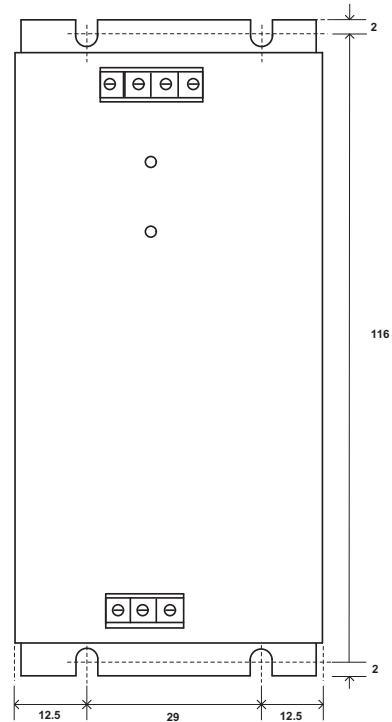
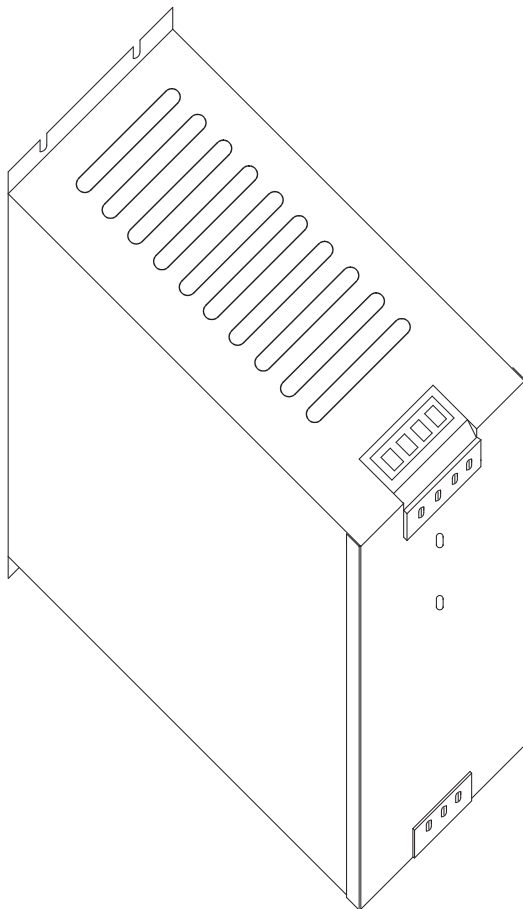
SMPS ECO Series

ECO120

Nuteck Power Solutions P Ltd.
1st Floor, 115/5, Ramtekdi Industrial Area,
Hadapsar, Pune-411013.
Tel : +91 26811162, Mob : +91 9552545012
Email : info@nuteck.in
Web : www.nuteckpowersolutions.com

120W Single Output Switching Power Supply

DIMENSIONAL DETAILS :



NOTE : REMOVE DIN-RAIL CLAMP FOR PANEL MOUNTING
ALL DIMENSIONS ARE IN MM